

PAD SERIES

Related Information

- General terms and conditions..... P.1
- Sensor selection guide.....P.11~ / P.593~
- Glossary of terms / General precautions..... P.1000~ / P.1004
- PLX..... P.641~



SUNX website <http://www.sunx.com>

Precise Pressure Control

SPECIFICATIONS

The CAD data in the dimensions can be downloaded from the SUNX website: <http://www.sunx.com>

Designation		Digital pressure controller				
Item	Model No.	PAD-D1	PAD-1	PAD-2	PAD-10	PAD-50
Applicable pressure sensor		PLX-D1L	PLX-1L	PLX-2L	PLX-10L	PLX-50L
Supply voltage		12 to 24 V DC $\pm 10\%$ Ripple P-P 10% or less				
Current consumption		260 mA or less				
Power supply for sensor		12 V DC $+10\%$, 70 mA or less				
Inputs	Sensor input	Range of input current: 4 to 20 mA (Maximum allowable current: 50 mA) Input impedance: 20 Ω approx. Sampling cycle: 50 ms (20 times/sec.)				
	Auto-reference input	Activating auto-reference function <ul style="list-style-type: none"> • Operation: NPN non-contact input, edge trigger at signal falling • Signal condition: Low level: 1.5 V or less Low level output current: 0.6 mA or less Low level input time: 0.5 ms or more 				
Outputs	Comparative outputs (HI, GO, LO)	NPN open-collector transistor <ul style="list-style-type: none"> • Maximum sink current: 100 mA • Applied voltage: 30 V DC or less (between comparative output and 0 V) • Residual voltage: 1 V or less (at 100 mA sink current) 0.4 V or less (at 16 mA sink current) 				
	Output operation					
	Response time	100 ms or less (150 ms or less during auto-reference active)				
Display	Measurement value display	3 1/2 digit LCD display [Sampling cycle: 250 ms (4 times/sec.)]				
	Display range	+0.0 to +100.0 kPa	+0.000 to +1.000 MPa	+0.000 to +1.999 MPa	+0.00 to +10.00 MPa	+0.0 to +50.0 MPa
	Setting value display	3 1/2 digit LCD display				
	Setting range	-199.9 to +199.9 kPa	-1.999 to +1.999 MPa	-1.999 to +1.999 MPa	-19.99 to +19.99 MPa	-199.9 to +199.9 MPa
Comparative output display		"HI", "GO" or "LO" LCD display (HI, GO or LO lights up when the corresponding output is activated)				
Indication accuracy		\pm (measurement value \times 0.15% + 1 digit) or less at 23 \pm 1 $^{\circ}$ C 73.4 \pm 33.8 $^{\circ}$F				
Ambient temperature		0 to +50 $^{\circ}$ C +32 to +122 $^{\circ}$F (No dew condensation), Storage: -10 to +60 $^{\circ}$ C +14 to +140 $^{\circ}$F				
Connection method		Terminal block				
Weight		230 g approx.				
Dimensions		W72 \times H72 \times D88.2 mm W2.835 \times H2.835 \times D3.472 in				

Note: Where measurement conditions have not been specified precisely, the conditions used were an ambient temperature of +20 $^{\circ}$ C +68 $^{\circ}$ F.

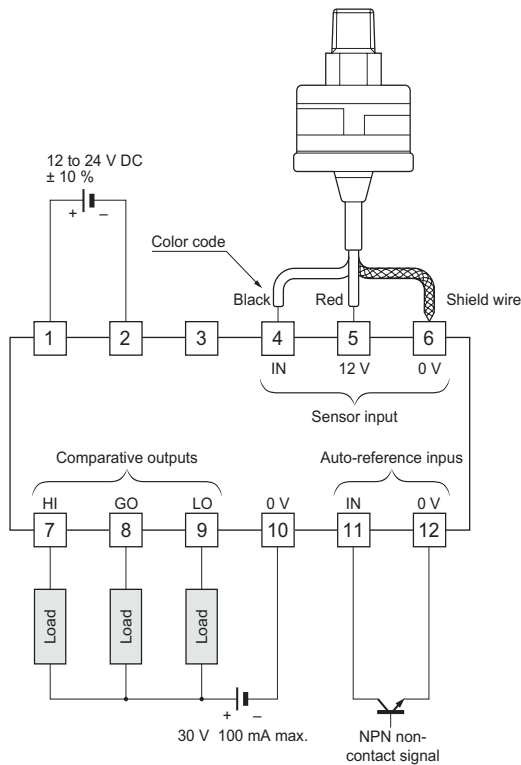
- FIBER SENSORS
- LASER SENSORS
- PHOTOELECTRIC SENSORS
- MICRO PHOTOELECTRIC SENSORS
- AREA SENSORS
- SAFETY COMPONENTS
- PRESSURE SENSORS**
- INDUCTIVE PROXIMITY SENSORS
- PARTICULAR USE SENSORS
- SENSOR OPTIONS
- WIRE-SAVING SYSTEMS
- MEASUREMENT SENSORS
- STATIC CONTROL DEVICES
- LASER MARKERS
- Selection Guide
- Digital Display
- DP-100**
- DP4**
- DP-M**
- Head-separated
- DP5 / DPH**
- Other Products

PRECAUTIONS FOR PROPER USE

- Never use this product as a sensing device for personnel protection.
- In case of using sensing devices for personnel protection, use products which meet laws and standards, such as OSHA, ANSI or IEC etc., for personnel protection applicable in each region or country.
- Use a sensor and a controller with the recommended combination.

Connection with PLX series

- Since the shield wire of the **PLX** series is connected to the sensor body, in case 0 V of the power supply must be isolated from the installation trestle and the piping for pressure, insulate the shield wire with a tape and keep it in the open state.

FIBER
SENSORSLASER
SENSORSPHOTO-
ELECTRIC
SENSORSMICRO
PHOTO-
ELECTRIC
SENSORSAREA
SENSORSSAFETY
COMPONENTSPRESSURE
SENSORSINDUCTIVE
PROXIMITY
SENSORSPARTICULAR
USE
SENSORSSENSOR
OPTIONSWIRE-
SAVING
SYSTEMSMEASURE-
MENT
SENSORSSTATIC
CONTROL
DEVICESLASER
MARKERSSelection
GuideDigital
Display**DP-100****DP4****DP-M**Head-
separated**DP5 / DPH**Other
Products