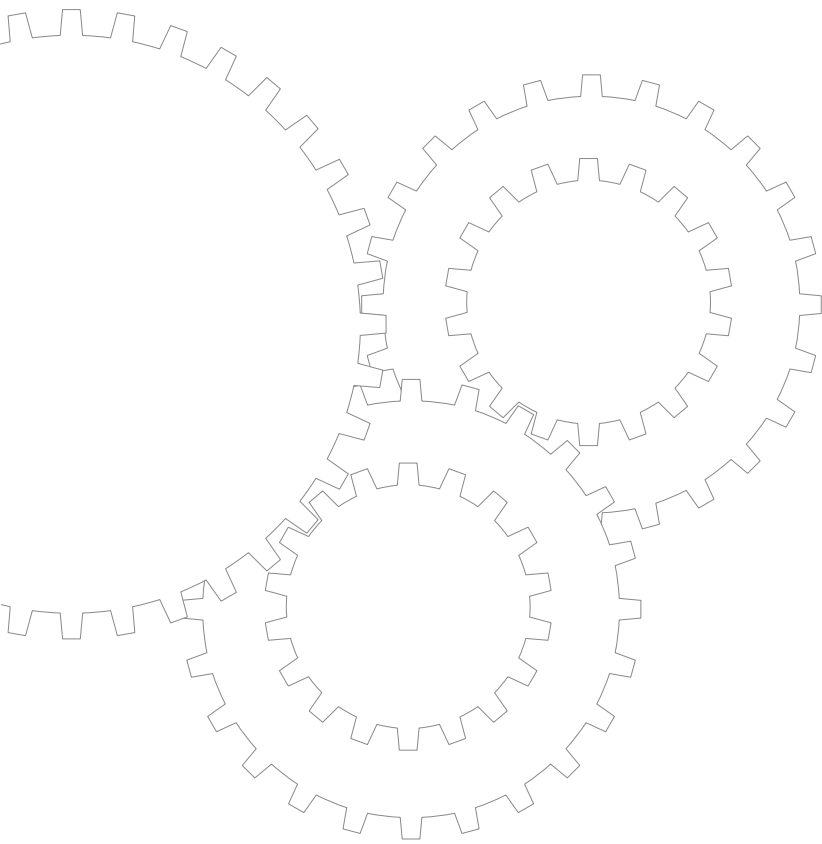


Discontinued

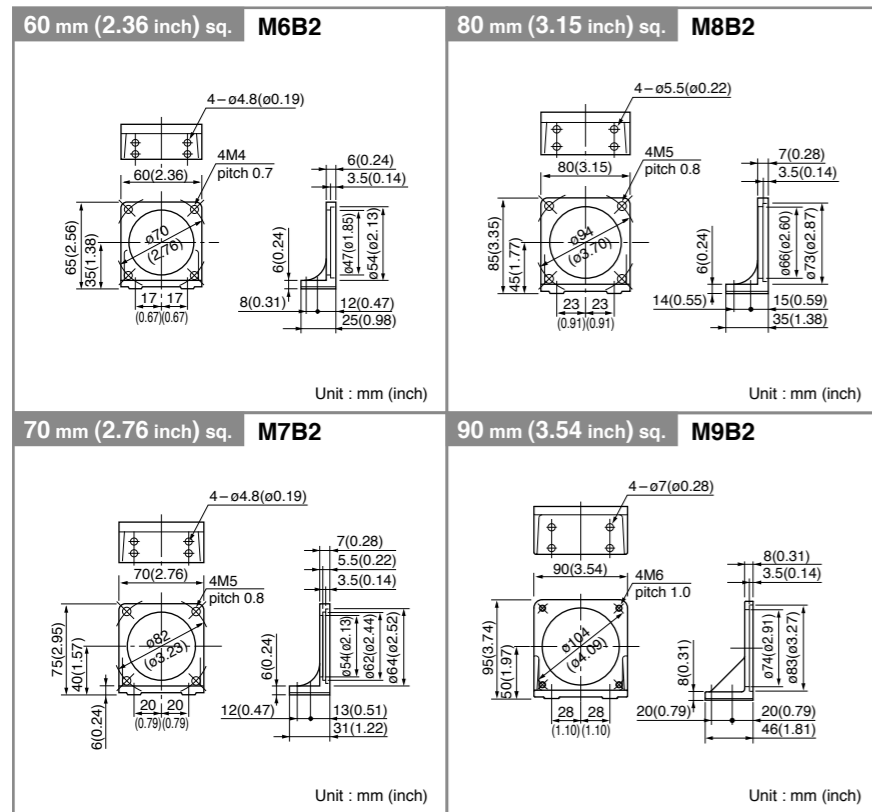
Options



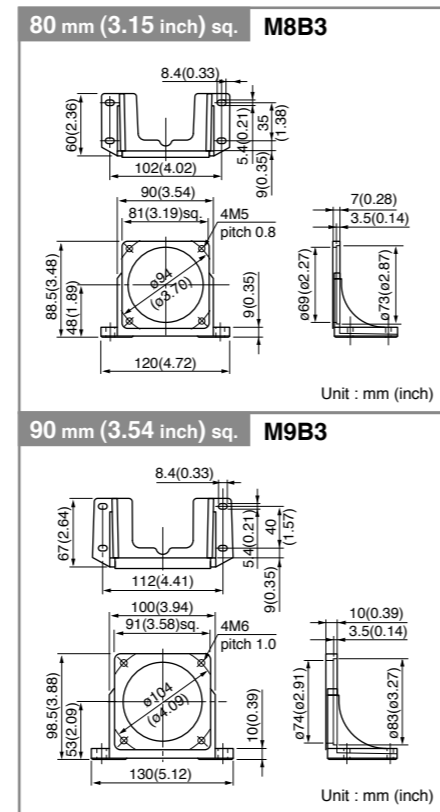
Options

• Mounting frame and dimensions

<Outer-base type*>



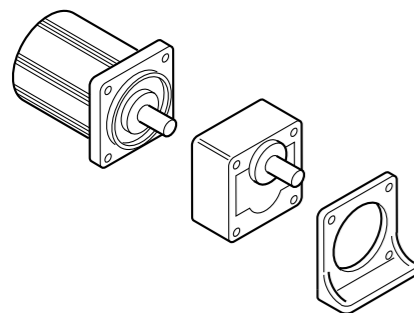
<Inner-base type*>



* Not attachable to a hinged gear head or C&B motor. * Outer-base type: A motor is attached outside the base mounting position.
 * Inner-base type: A motor is attached inside the base mounting position.

• Mounting arrangement

Motor + Gear head + Mounting frame



• Mounting frame

| Size (mm) | Part number |
|-----------------------|-------------|
| 60 mm (2.36 inch) sq. | M6B2 |
| 70 mm (2.76 inch) sq. | M7B2 |
| 80 mm (3.15 inch) sq. | M8B2 |
| 80 mm (3.15 inch) sq. | M8B3 |
| 90 mm (3.54 inch) sq. | M9B2 |
| 90 mm (3.54 inch) sq. | M9B3 |

• O-ring

Repair parts
10 pcs packed in one bag.

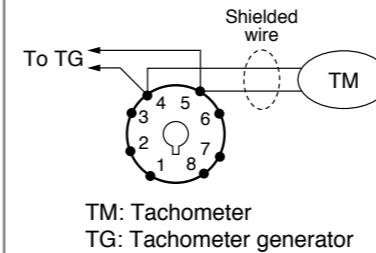
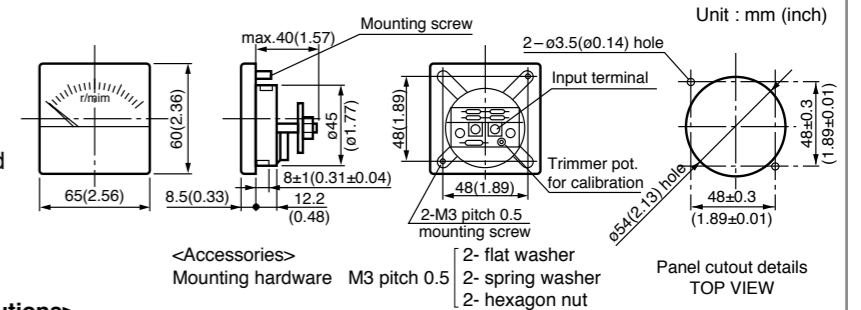
| Size (mm) | Part number |
|-----------------------|-------------|
| 60 mm (2.36 inch) sq. | DV0PN10006 |
| 70 mm (2.76 inch) sq. | DV0PN10007 |
| 80 mm (3.15 inch) sq. | DV0PN10008 |
| 90 mm (3.54 inch) sq. | DV0PN10009 |

* Please read your User's manual carefully so that you will understand the operation and safety precautions before attempting to operate the system.

• Tachometer (DV0P001)



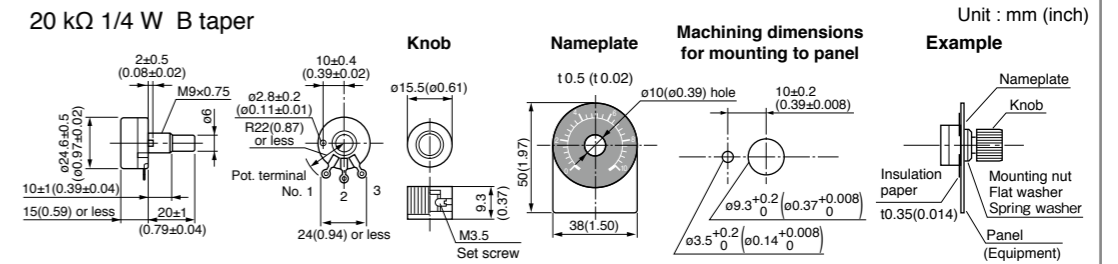
The motor speed can be easily indicated. This meter is especially designed for Panasonic controllers only.



<Precautions>

- Tachometer should be wired in parallel with TG.
- When the wires for the tachometer (TM) becomes too long, use a twisted shielded wire in place. Please do not ground the shield portion.
- Calibrate the readings with the trimmer potentiometer on the back of TM.
 Calibration : 1. Measure the motor speed with a revolution counter.
 2. Measure the frequency f of the voltage from TG by the oscilloscope.
 Rotation speed N (r/min) = 5f (Hz)

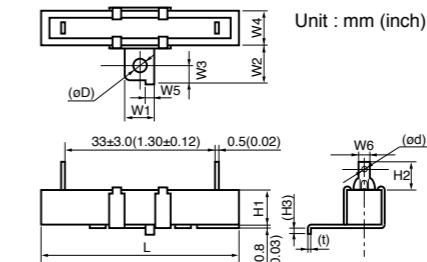
• External speed setter (DV0P002)



<Precautions>

- Insert the insulation paper to positively isolate the terminals and chassis.
- Prepare the panel by customer.
 When using the accessory nameplate, the recommended thickness of the panel is 2.5 mm to 4 mm.
 When not using the accessory nameplate, the recommended thickness of the panel is 4 mm or less.

• External braking resistor (DV0P003)



| <Size> | | (mm) | | (inch) | |
|--------|----------|-----------|----|-------------------------------|--|
| L | 48±2 | 1.89±0.08 | H1 | 10.5±1.5 | 0.41±0.06 |
| W1 | 12±0.5 | 0.47±0.02 | H2 | 9 ⁺³ ₋₁ | 0.35 ^{+0.12} _{-0.04} |
| W2 | 14±1 | 0.55±0.04 | H3 | (2.2) | (0.09) |
| W3 | 6±0.5 | 0.24±0.02 | D | (3.8) | (0.15) |
| W4 | 10.5±1.5 | 0.41±0.06 | d | (2.5) | (0.10) |
| W5 | 3±0.3 | 0.12±0.01 | t | (0.6) | (0.02) |
| W6 | 5.2±0.5 | 0.20±0.5 | | | |

<Notice>

DV0P003 has 5.6 Ω resistance. When using commercial resistor, select 4.7 Ω to 6.8 Ω and power rating 10 W or more.

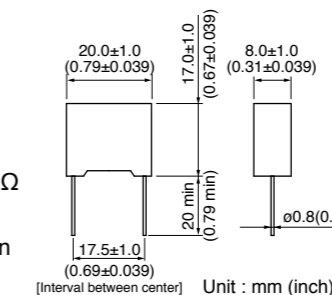
<Precautions>

- The resistor dissipates heat: do not touch.
- Mount the resistor to nonflammable material.

• Spark killer (DV0P008A)



0.1 μF 120 Ω



<Notice>

- DV0P008A internal capacitor is 0.1 μF and internal resistance is 120 Ω. When using commercially available ones, follow the instructions shown below.

$$R1 \quad C1$$
 R1 = 10 Ω to 200 Ω (1/4 W or larger)
 C1 = 0.1 μF to 0.33 μF (125 VAC or 250 VAC)
- This spark killer cannot be used for 400 V model. Use a spark killer rated at 400 V or higher.

* Please read your User's manual carefully so that you will understand the operation and safety precautions before attempting to operate the system.

Options

• Unit type motor extension cord

Orders are no longer accepted later than the end of March 2022.

| Part No. | Length |
|----------|------------|
| DV0P0321 | 1 (39.37) |
| DV0P0322 | 2 (78.74) |
| DV0P0323 | 3 (118.11) |
| DV0P0324 | 4 (157.48) |
| DV0P0325 | 5 (196.85) |

The 1 m (39.37 inch) cord is supplied with the motor.

• Capacitor

The capacitor delivered together with the motor can be separately available as an option.

• Capacitor cap

The capacitor cap delivered together with the motor can be separately available.

[Notes]

- 10 caps are packed in one bag.
- We accept the order for caps in unit of bag.
- Please refer to the motor specification page for each dimensions of the capacitor.

• Noise filter

DV0P3611-5 : for Speed controller (excluding unit type)
DV0P4170 : for Brake unit

<Circuit diagram> DV0P3611-5

• Surge absorber

DV0P4190

<Circuit diagram>

• 8-pin socket

DV0P4560

[Machining drawing of mounting hole] Unit : mm (inch)
2-M3 Screw hole (or ø3.5(ø0.14) hole)

* Please read your User's manual carefully so that you will understand the operation and safety precautions before attempting to operate the system.

Recommended components

Panasonic Industrial Devices SUNX Co.,Ltd.

• Combination of the set and recommended components

(The customer should arrange the recommended components.)

These are products of Panasonic Industrial Devices SUNX Co.,Ltd.

| | | DIN terminal block | Socket | Cap | Flush ¹ mounting frame | Protective cover | DIN rail Fastening plate |
|------------|-------|--------------------|---------------------|---------------------|-----------------------------------|------------------|--------------------------|
| | | Speed controller | MGSD | AT7803 ATC180031 | AW68102 | — | — |
| | EX | AT7803 | AW68102 (accessory) | — | — | — | |
| Brake unit | SD | AT7803 | AW68102 (accessory) | — | — | — | |
| | EX | | | — | — | — | |
| | MB48X | ATC180041 | — | ATA4861 | ATA4811 | AQM4801 | |

*1 If you use embedded mounting frame for MB48X type, please use the cap (ATA4861) for connection wiring. The DIN terminal block or socket cannot be used in case of embedded mounting frame.

• DIN terminal block

• Socket

[Machining drawing of mounting hole] Unit : mm (inch)
2-M3 Screw hole (or ø3.5(ø0.14) hole)

* Do not use this socket in condition where it receive any vibration. To securely fix such product, use the DIN terminal block or flush type mounting frame.

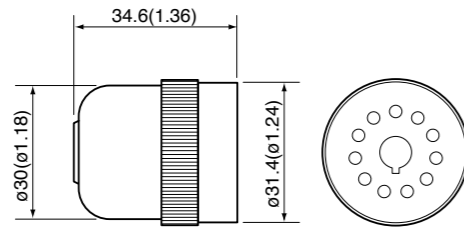
* Please read your User's manual carefully so that you will understand the operation and safety precautions before attempting to operate the system.

Recommended components

• Cap

ATA4861

Unit : mm (inch)

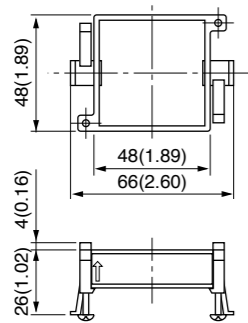


11-pin

• Flush mounting frame

ATA4811

Unit : mm (inch)



Note 1: Compatible panel thickness is between 1.0 mm and 3.5 mm (0.039 inch and 0.14 inch).

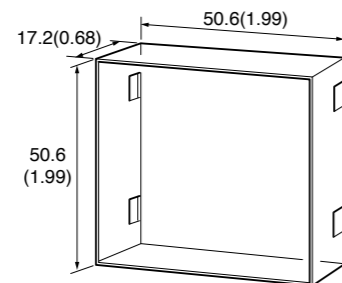
Note 2: If you use embedded mounting frame for MB48X type, please use the cap (ATA4861) for connection wiring.

Note 3: The DIN terminal block or socket cannot be used in case of embedded mounting frame.

• Protective cover

AQM4801

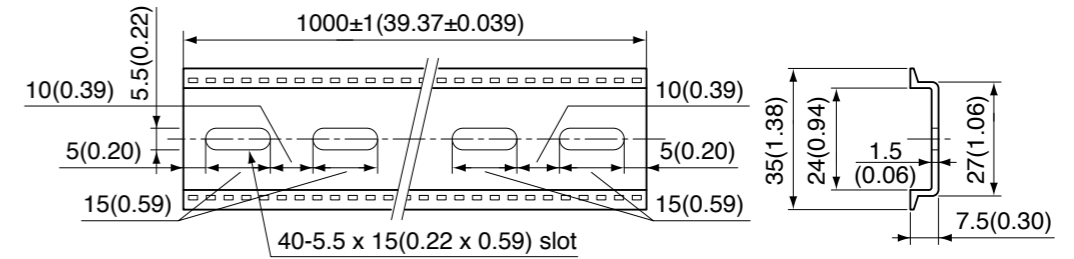
Unit : mm (inch)



• DIN rail

ATA48011

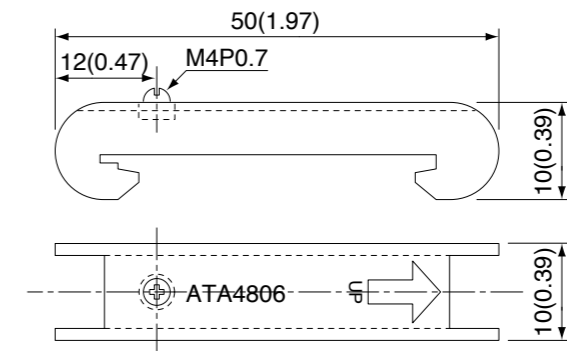
Unit : mm (inch)



• Fastening plate

ATA4806

Unit : mm (inch)

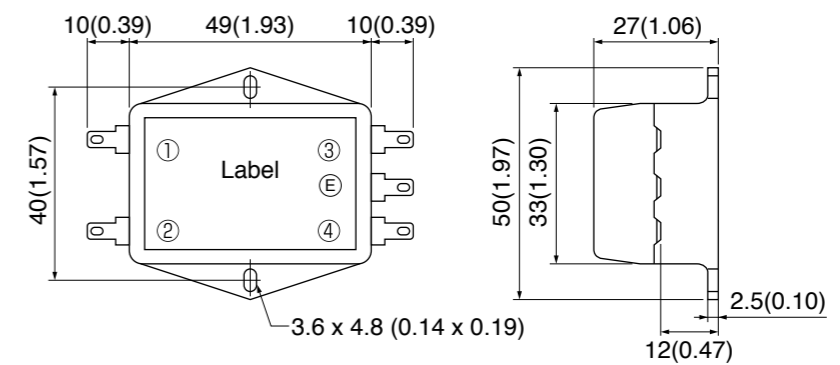


• Noise filter

MR-2043

Unit : mm (inch)

Manufacturer:
NEC Tokin Corporation



* Please read your User's manual carefully so that you will understand the operation and safety precautions before attempting to operate the system.

* Please read your User's manual carefully so that you will understand the operation and safety precautions before attempting to operate the system.