

July 31, 2018

Motor Business Unit,  
Electromechanical Control Business Division,  
Automotive & Industrial Systems Company,  
Panasonic Corporation

**MINAS-BL Brushless Motor, Amplifiers and Option**  
**Announcement concerning product indication**  
**by the recast WEEE directive 2012/19/EU compliance**

Thank you for your daily support and efforts to our business  
As captioned, starting from August 15, 2018, the recast WEEE directive 2012/19/EU expanded the target products and the indication of a recycling symbol (crossed-out wheeled bin with a solid bar) became mandatory. (Electric and electronic products are affected by the change, but gear heads are not affected.) Accordingly, a recycling symbol is added to the caution labels, etc.  
We would appreciate your understanding and cooperation with this matter.

■ Affected models: All models of Brushless amplifiers, motor and option

- Brushless amplifiers
  - MBE□\*\*\*\*□\*\*
  - Starting with MBE
  - GV Series : Model number with G as 4th character, V as 10th character from left
  - GP Series : Model number with G as 4th character, P as 10th character from left
  - KV Series : Model number with K as 4th character from left
  - GU Series : Model number with U as 4th character from left
  
- Brushless motors
  - MBM□\*\*\*\*□\*\*
  - Starting with MBM
  - GV Series : Model number with U as 4th character, X, Z as 9th character from left
  - GP Series : Model number with U as 4th character, B as 9th character from left
  - KV Series : Model number with S as 4th character from left
  
- Optional Cables
  - DV0PQ10001\*\* (GV/GP Motor extension cable)
  - DV0PQ10003\*\* (KV Motor extension cable)
  - DV0PM20069\*\* (Panel A connection cable)
  - DV0P383\*\* (Panel B connection cable)
  - DV0P4140 (PC connection cable)

The model numbers "\*" is alphanumeric character indicating the specifications.

- Reason for the change: Because of the WEEE directive 2012/19/EU, an indication of the recycling symbol (crossed-out wheeled bin with a solid bar (below)) is required.



- Schedule of the change: from Aug 2018 production onwards.

- Supplement

This recycling symbol is not the instruction method for disposal.

For product disposal, please refer to the "Safety Guide" or "Operating Instructions (Safety Guide)" included with the product and comply with those instructions.

■ Description of the Change: We will change the product nameplate as follows.

【Brushless amplifiers (AC power input specification)】

• MINAS-BL GV Series / GP Series / KV Series

Example: MINAS-BL GV Series

\* Same for other series.

Previous version	New version

Recycling symbol label is added.

【Brushless amplifiers (DC power input specification)】

• MINAS-BL GV Series / GP Series

Example: MINAS-BL GV Series

Previous version	New version

Recycling symbol label is added.

### 【Brushless amplifiers】

• MINAS-BL GU Series

Example: MINAS-BL GU Series

Previous version	New version																								
<div style="border: 1px solid black; padding: 5px;"> <p><b>Panasonic</b></p> <p>BRUSHLESS AMPLIFIER</p> <p>Model No. MBEU1E5AAV Ser.No. P18040001G</p> <table border="1"> <tr> <th>INPUT</th> <th>OUTPUT</th> </tr> <tr> <td>Voltage 200-240 V</td> <td>0-240 V</td> </tr> <tr> <td>Phase 1φ/3φ</td> <td>3φ</td> </tr> <tr> <td>F.L.C 1.5 A/0.7 A</td> <td>0.8 A</td> </tr> <tr> <td>Freq. 50/60 Hz</td> <td>0-267 Hz</td> </tr> <tr> <td>Power</td> <td>130 W</td> </tr> </table> <p>CE, RoHS, 合格</p> <p>Read the manual and follow the safety instructions before use.</p> <p>Risk of electric shock                      • Never fail to connect Protective Earth terminal.                      • Do not touch terminals within 15 minutes after disconnect the power.</p> <p>Risk of burn                      • Do not touch heatsink when power is ON.</p> <p>无刷电动机驱动器 20180401 松下电器产业株式会社 日本 大阪 原产地: 中国</p> </div>	INPUT	OUTPUT	Voltage 200-240 V	0-240 V	Phase 1φ/3φ	3φ	F.L.C 1.5 A/0.7 A	0.8 A	Freq. 50/60 Hz	0-267 Hz	Power	130 W	<div style="border: 1px solid black; padding: 5px;"> <p><b>Panasonic</b> (合格)</p> <p>BRUSHLESS AMPLIFIER</p> <p>Model No. MBEU1E5AAV Ser.No. P18040001G</p> <table border="1"> <tr> <th>INPUT</th> <th>OUTPUT</th> </tr> <tr> <td>Voltage 200-240 V</td> <td>0-240 V</td> </tr> <tr> <td>Phase 1φ/3φ</td> <td>3φ</td> </tr> <tr> <td>F.L.C 1.5 A/0.7 A</td> <td>0.8 A</td> </tr> <tr> <td>Freq. 50/60 Hz</td> <td>0-267 Hz</td> </tr> <tr> <td>Power</td> <td>130 W</td> </tr> </table> <p>CE, RoHS, 合格, 10, 10</p> <p>Read the manual and follow the safety instructions before use.</p> <p>Risk of electric shock                      • Never fail to connect Protective Earth terminal.                      • Do not touch terminals within 15 minutes after disconnect the power.</p> <p>Risk of burn                      • Do not touch heatsink when power is ON.</p> <p>无刷电动机驱动器 20180401 松下电器产业株式会社 日本 大阪 原产地: 中国</p> </div>	INPUT	OUTPUT	Voltage 200-240 V	0-240 V	Phase 1φ/3φ	3φ	F.L.C 1.5 A/0.7 A	0.8 A	Freq. 50/60 Hz	0-267 Hz	Power	130 W
INPUT	OUTPUT																								
Voltage 200-240 V	0-240 V																								
Phase 1φ/3φ	3φ																								
F.L.C 1.5 A/0.7 A	0.8 A																								
Freq. 50/60 Hz	0-267 Hz																								
Power	130 W																								
INPUT	OUTPUT																								
Voltage 200-240 V	0-240 V																								
Phase 1φ/3φ	3φ																								
F.L.C 1.5 A/0.7 A	0.8 A																								
Freq. 50/60 Hz	0-267 Hz																								
Power	130 W																								

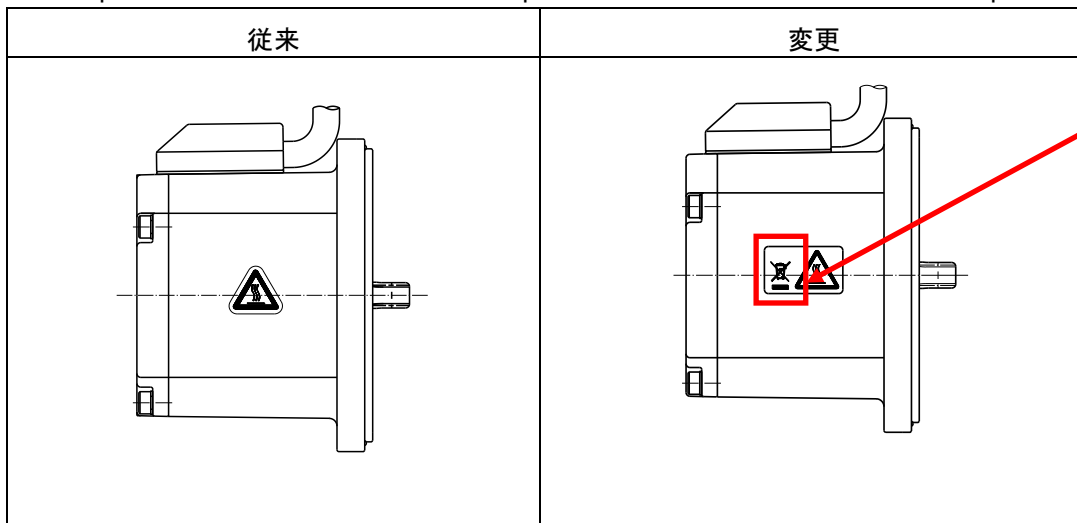
Recycling symbol label is added.

【Brushless motors】

- MINAS-BL GV Series / GP Series

Example: MINAS-BL GV Series 80 mm sq.

\* Same for frame size 90 mm square.



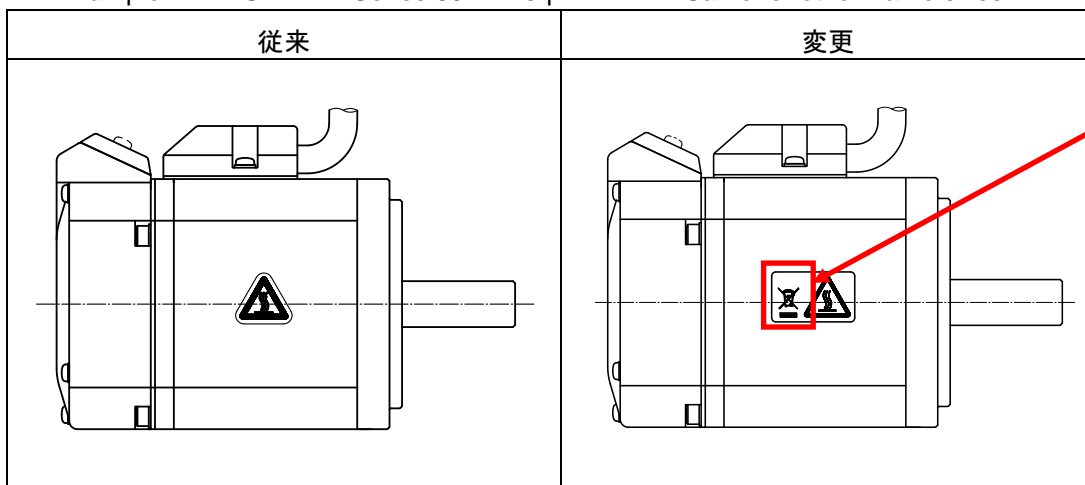
Recycling symbol is added to the high temperature caution mark.

【Brushless motors】

- MINAS-BL KV Series

Example: MINAS-BL KV Series 60 mm sq.

\* Same for other frame sizes.

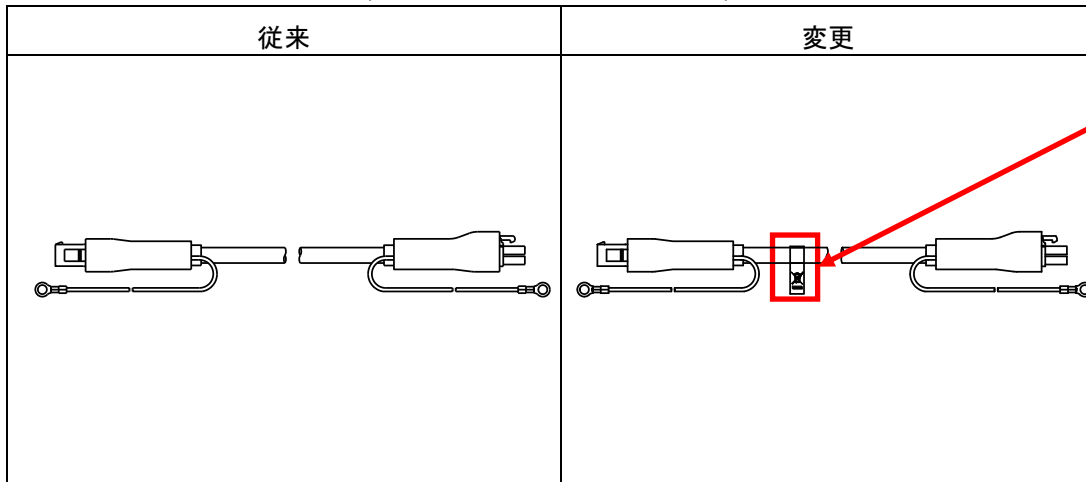


Recycling symbol is added to the high temperature caution mark.

【Optional cables】

Example: MINAS-BL GV Series

DV0PQ10001\*\* (GV/GP Motor extension cable)



Recycling symbol is added.  
Laser-printed.

■ Other

- 1) No change is made to the product material.  
Some optional cables will be added with a label.
- 2) There is no impact to the product quality or characteristics.