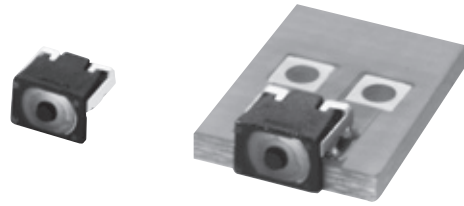


### 2.8 mm×2.3 mm Side-operational Edge Mount Light Touch Switches

Type: **EVPAV**



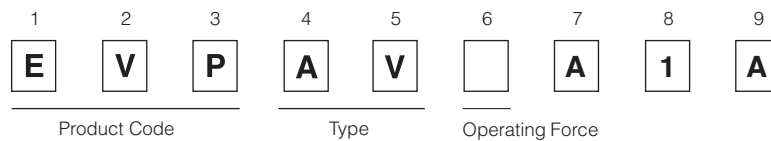
#### ■ Features

- External dimensions : 2.8 mm×2.3 mm (Excluding the push plate), Height 1.95 mm (Printed circuit board being as low as 0.975 mm)
- Improved soldering strength in the operating direction

#### ■ Recommended Applications

- Operation switches for portable electronic equipment (Mobile phones, Digital still cameras, Camcorders Portable audio players, etc.)

#### ■ Explanation of Part Numbers


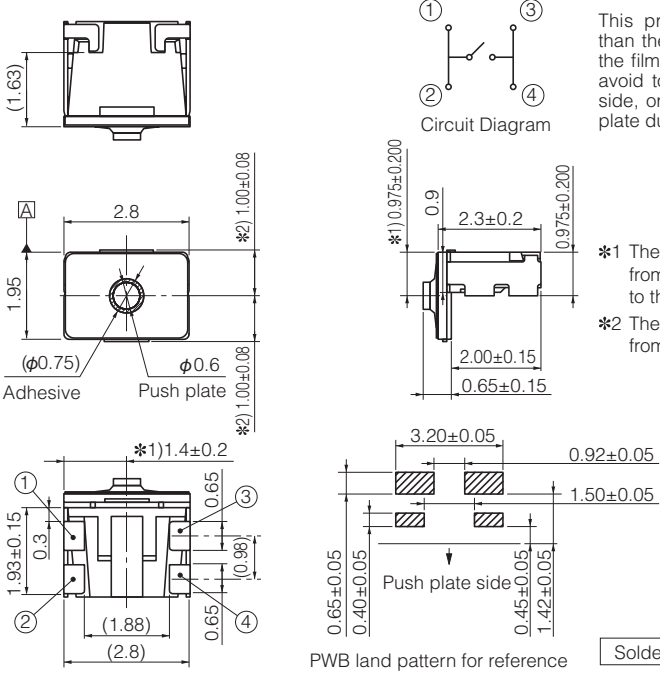
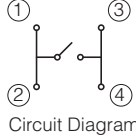


#### ■ Specifications

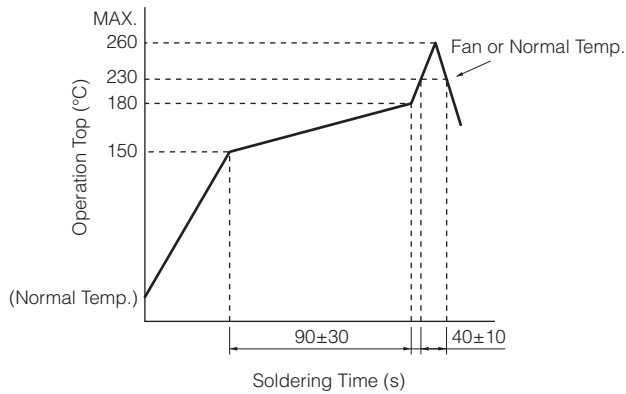
Type		Snap action / Push-on type SPST
Electrical	Rating	10 μA 2 V DC to 20 mA 15 V DC (Resistive load)
	Contact Resistance	500 mΩ max.
	Insulation Resistance	50 MΩ min. (at 100 V DC)
	Dielectric Withstanding Voltage	250 V AC for 1 minute
	Bouncing	10 ms max. (ON, OFF)
Mechanical	Operating Force	1.6 N
	Push Travel	0.13 mm
	Push Strength	50 N (15 seconds)
Endurance	Operating Life	300,000 cycles min.
Operating Temperature		-40 °C to +85 °C
Storage Temperature		-40 °C to +85 °C (Bulk) -20 °C to +60 °C (Taping)
Minimum Quantity/Packing Unit		8,000 pcs. Embossed Taping (Reel Pack)
Quantity/Carton		40,000 pcs.

Design and specifications are each subject to change without notice. Ask factory for the current technical specifications before purchase and/or use.  
Should a safety concern arise regarding this product, please be sure to contact us immediately.

## ■ Dimensions in mm (not to scale)

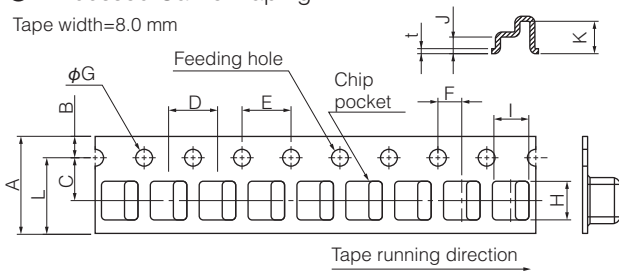
<p>EVPAV</p> 	<p>General dimension tolerance : <math>\pm 0.1</math> ( ) dimensions are reference dimensions.</p>  <p>This product is designed to be smaller than the conventional type, which lowered the film peel off strength. Therefore please avoid to apply force to a push plate from side, or/and avoid set-knob to touch push plate during insertion to a set-case.</p> <p>Circuit Diagram</p>  <p>*1 These dimensions are from the outer shape to the center of push plate. *2 These dimensions are from the center of datum A.</p> <p>PWB land pattern for reference</p> <p>Soldering thickness <math>t=0.1\pm 0.02</math></p>		
<p>Part Numbers</p>	<p>Operating Force</p>	<p>Height</p>	<p>Operating Life</p>
<p>EVPAVAA1A</p>	<p>1.6 N</p>	<p>0.975 mm</p>	<p>300,000 cycles</p>

## ■ Recommended Reflow Soldering Conditions



## ● Embossed Carrier Taping

Tape width=8.0 mm



Taping condition : Lack of products in the middle of taping should be one MAX, but total quantity specified in the specifications should be secured.

Peeling off strength of top tape : It should be within 0.2N to 1.0N at 165 degree in peeling off angle.

Joint of carrier tape : One joint per one reel may exist.

Unit: mm

Part No.	Height	A	B	C	D	E	F	G	H	I	J	K	L	t
EVPAV	1.95	8.0±0.3	1.75±0.10	3.5±0.1	4.0±0.1	4.0±0.1	2.0±0.1	1.5 <sup>+0.1</sup> <sub>-0</sub>	3.1±0.2	2.8±0.2	1.35±0.20	2.7±0.2	(6.25)	0.3±0.1

Design and specifications are each subject to change without notice. Ask factory for the current technical specifications before purchase and/or use.  
Should a safety concern arise regarding this product, please be sure to contact us immediately.

## Requests to customers

Please refer to "the latest product specifications" when designing your product.

Requests to customers :

<https://industrial.panasonic.com/ac/e/salespolicies/>

## Safety Precautions

When using our products, no matter what sort of equipment they might be used for, be sure to confirm the applications and environmental conditions with our specifications in advance.

Please contact .....

**Panasonic Corporation**

Electromechanical Control Business Division

■ 1006, Oaza Kadoma, Kadoma-shi, Osaka 571-8506, Japan  
[industrial.panasonic.com/ac/e/](https://industrial.panasonic.com/ac/e/)

**Panasonic**<sup>®</sup>

©Panasonic Corporation 2019